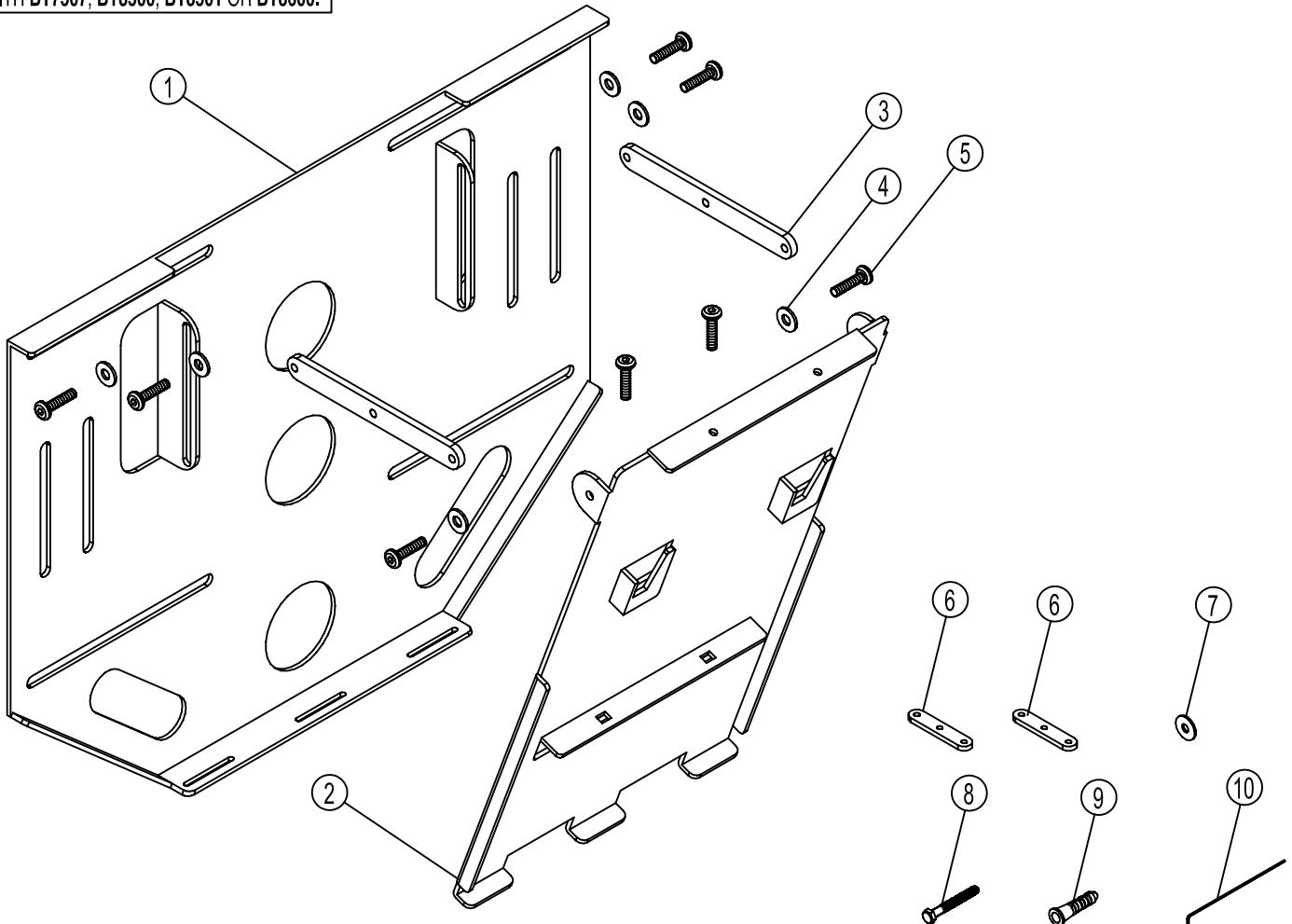


### BT 8002

THIS PACK CONTAINS 1 WALL BRACKET.  
PLEASE KEEP THIS PARTS LIST FOR FUTURE REFERENCE

THIS WALL MOUNT IS DESIGNED FOR USE  
WITH BT7507, BT8500, BT8501 OR BT8600.



PART NUMBER	PART NAME	QUANTITY
1	WALL PLATE	1
2	TILT PLATE	1
3	TILT ADJUSTMENT ARM - LONG	2
4	Ø1/4" Ø16mm T1.6mm WASHER	6
5	M5 x 12mm SCREW	10

PART NUMBER	PART NAME	QUANTITY
6	TILT ADJUSTMENT ARM - SHORT	2
7	Ø8.5mm Ø25mm T2.0mm WASHER	8
8	WALL SCREW	8
9	WALL PLUG	8
10	ALLEN KEY	2

(C) 2006 B-Tech International Ltd. All rights reserved. B-Tech and Better by Design are registered trademarks of B-Tech International Ltd. All other brand and product names are trademarks of their respective owners. B-Tech International Ltd, its distributors and dealers are not responsible for damage or injury caused by improper installation, improper use, modifications, installations over the specified weight capacity and/or failure to observe these safety instructions. In such cases, any warranty will expire. It is recommended that this product should only be installed by a qualified professional / installer. B-Tech does not claim any liability for any difficulties that may arise from the interpretation of information contained in these instructions. Failure to mount this product correctly may lead to serious injury and/or death. Please check carefully to make sure there are no missing or defective parts - defective parts must never be used. In the event of missing and/or defective parts, or technical questions, please contact an authorised dealer.

For more information on B-Tech Audio Video Mounts please visit: [www.btechavmounts.com](http://www.btechavmounts.com)