

Full Motion Flat Screen Medical Wall Mount with Articulating Arm

For more information please visit www.btechavmounts.com/BT7593

BT7593



BT7593

Full Motion Flat Screen Medical Wall Mount with Articulating Arm

Designed for small flat screens up to 23" (58cm) and between 2kg (4.4lbs) to 6kg (13.2lbs)

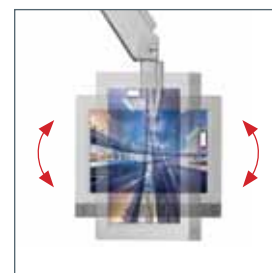
- Full motion wall arm - ideal for mounting behind hospital beds
- Fits screens with VESA® mounting patterns: 75 x 75mm and 100 x 100mm
- Allows 360° rotation of screen in any direction to display screen in landscape or portrait style
- Easy adjustment of tilt +/- 100°
- Mounts screen up to 1650mm (65") from wall
- Available in White



Easy adjustment of tilt



Space saving design - folds flat to the wall



360° rotation allows screen to be positioned in any orientation

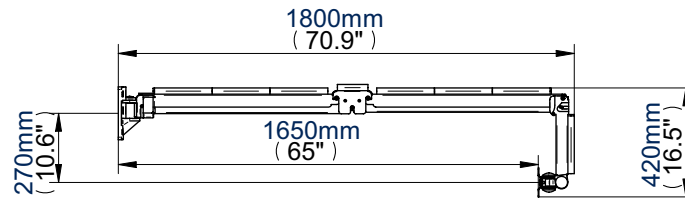


Ideal for mounting screens in hospital wards

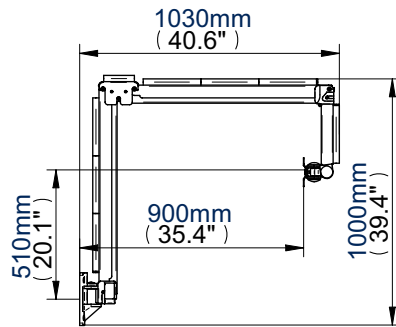
Full Motion Flat Screen Medical Wall Mount with Articulating Arm

For more information please visit www.btechavmounts.com/BT7593

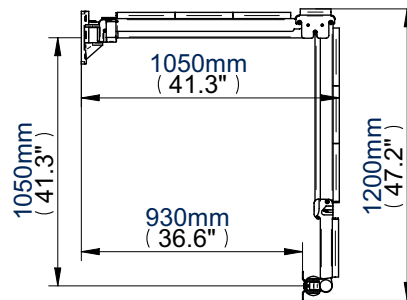
BT7593



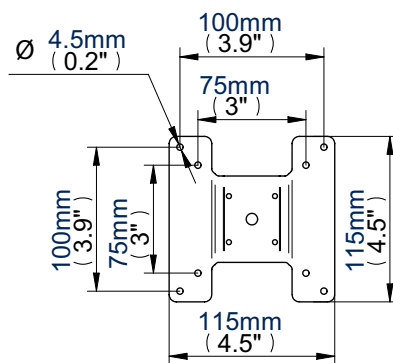
Side View - Maximum Extension



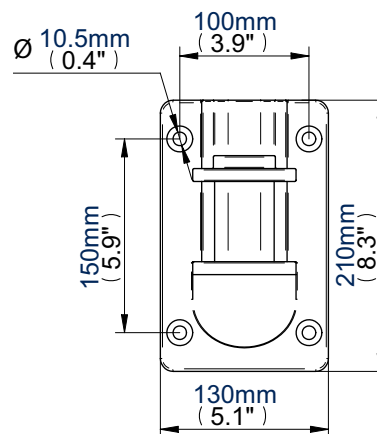
Side View



Side View



Interface



Wall Plate

Colour:	Order Ref:	EAN Code:	Master Carton Qty:	Inner Carton Qty:	Master Carton Weight:	Master Carton Cube:
White	BT7593/W	5019318750731	1	N/A	15kg (33lbs)	0.059cbm (2.1cuft)

**This information is intended as a guide only and reflects the current specification at the time of print.
B-Tech accepts no liability for the accuracy of the information contained in this document.**